

POWERMATIC EVOLUTION^{VSD}

MACBro Industries



INNOVATIVE LEADING EDGE TECHNOLOGY

MACBRO'S NEW EVOLUTION
PROGRAMMABLE WOOLPRESS WITH
INTELLIGENT POWER OPTIMISER +
VARIABLE CURRENT & SPEED CONTROL

✓ KEY FEATURES

- ▶ AUTO REGULATED CURRENT CONTROL FOR LOW VOLTAGE
- ▶ NO CIRCUIT BREAKER TRIP OUTS WITH MULTIPLE CURRENT DRAWING DEVICES
- ▶ QUIET OPERATION WITH REDUCED STANDBY SPEED AND NOISE LEVEL
- ▶ HINGED COMPACTION CHAMBER FOR EASY BALE REMOVAL
- ▶ LOWEST OVERALL HEIGHT AND WIDTH WOOLPRESS AVAILABLE
- ▶ REMOTE ACCESS CONTROL MONITORING VIA MOBILE PHONE
- ▶ ELECTRIC MOTOR PROTECTION AGAINST LOW VOLTAGE
- ▶ REDUCED POWER CONSUMPTION AND OPERATIONAL COST



KEY BENEFITS

- ▶ FLEXIBLE SINGLE-PHASE INPUT (180V - 250V AC)
- ▶ HIGH EFFICIENCY 2.8KW NO CAPACITOR 3 PHASE ELECTRIC MOTOR
- ▶ VARIABLE CURRENT & SPEED CONTROL
- ▶ AUTOMATIC WARM UP CYCLE FUNCTION
- ▶ LOADCELL DIGITAL SCALES
- ▶ HEAVY DUTY 2.5MM/8 METRE 240AC POWER CABLE
- ▶ RODENT PROOF RUBBER COATED STEEL CONDUIT ON CABLES
- ▶ LOWER OPERATING TEMPERATURE FOR HYDRAULIC OIL AND ELECTRIC MOTOR
- ▶ BACK UP GENERATOR & SOLAR POWER COMPATIBLE



KEY PROBLEMS SOLVED

- ▶ LOW SUPPLY VOLTAGE/CURRENT ◀
- ▶ NO CIRCUIT BREAKER TRIP OUTS ◀
- ▶ OPERATING MULTIPLE DEVICES SIMULTANEOUSLY ◀
- ▶ LOW OPERATING NOISE LEVELS ◀
- ▶ NO MOTOR OR CLUTCH FAILURES ◀

MACBro

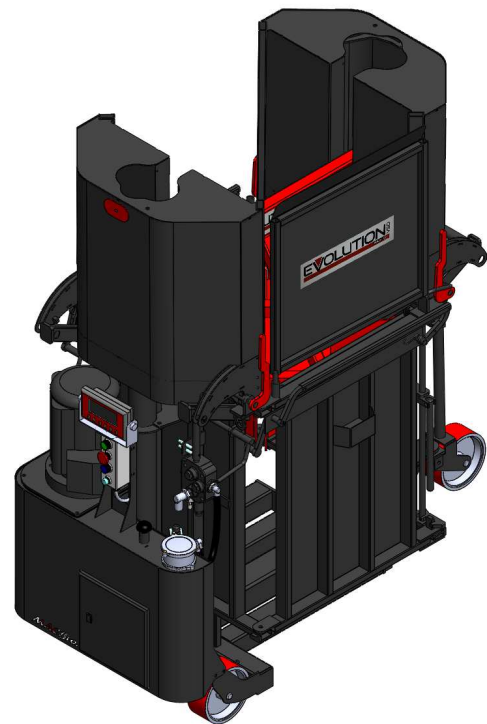
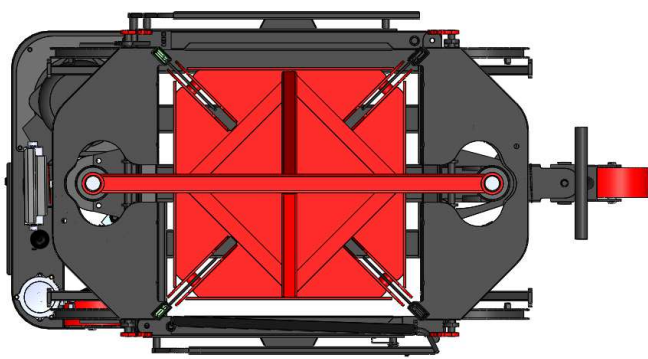
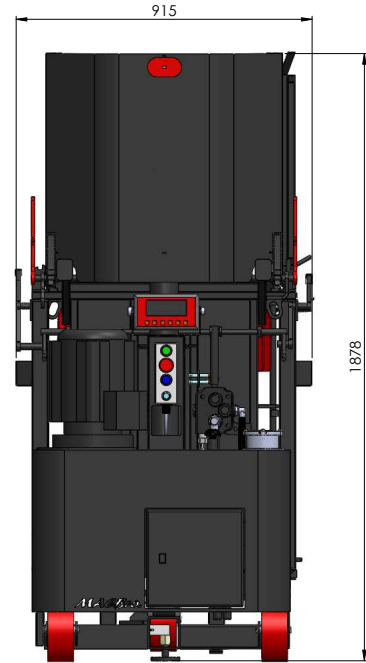
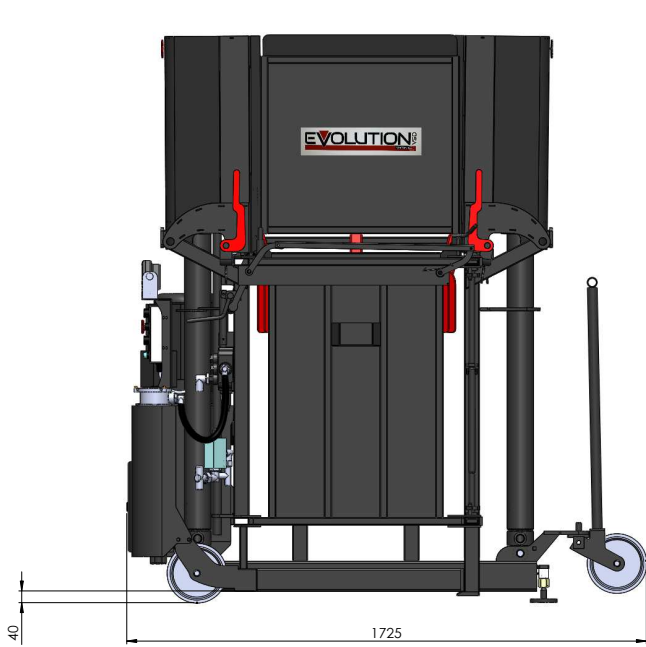


Industries

Contact the MACBro team today
P: (03) 5339 9741
W: macbroindustries.com.au
A: 5 Terwin St, Wendouree, Vic, 3355

POWERMATIC EVO WOOLPRESS

EXPERT DESIGN AND PERFORMANCE



Contact **US** or
Your Local
AUTHORIZED DISTRIBUTOR

