

MACBro   
Industries

*Power matic  
Parts book*



Contact Macbro for more information or pricing on any parts  
you may require.

Macbro industries. Ballarat. VIC. 3350  
[www.macbroindustries.com.au](http://www.macbroindustries.com.au) Ph: 03 5339 9741

Plattern circlip - 101393

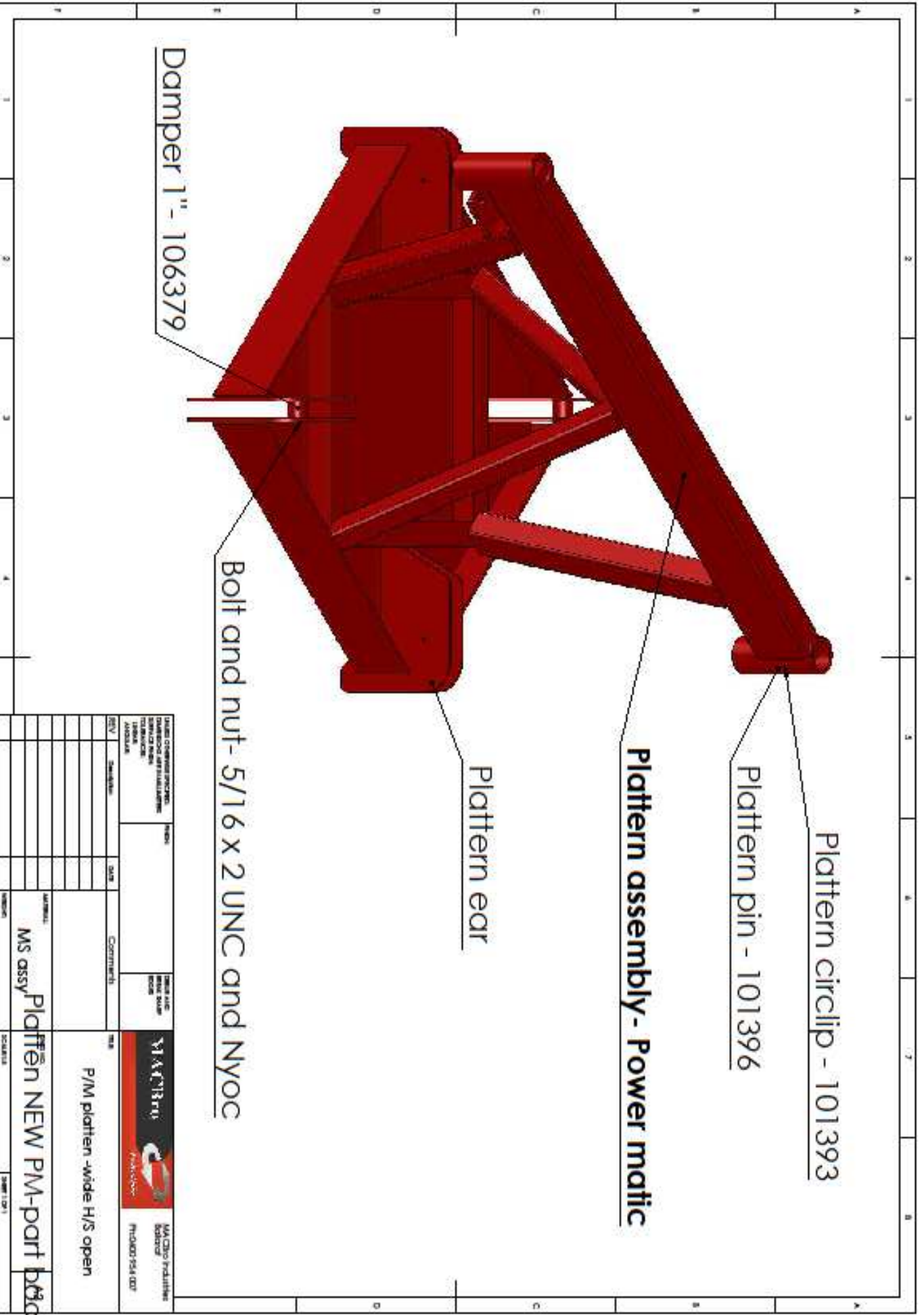
Plattern pin - 101396

**Plattern assembly - Power matic**

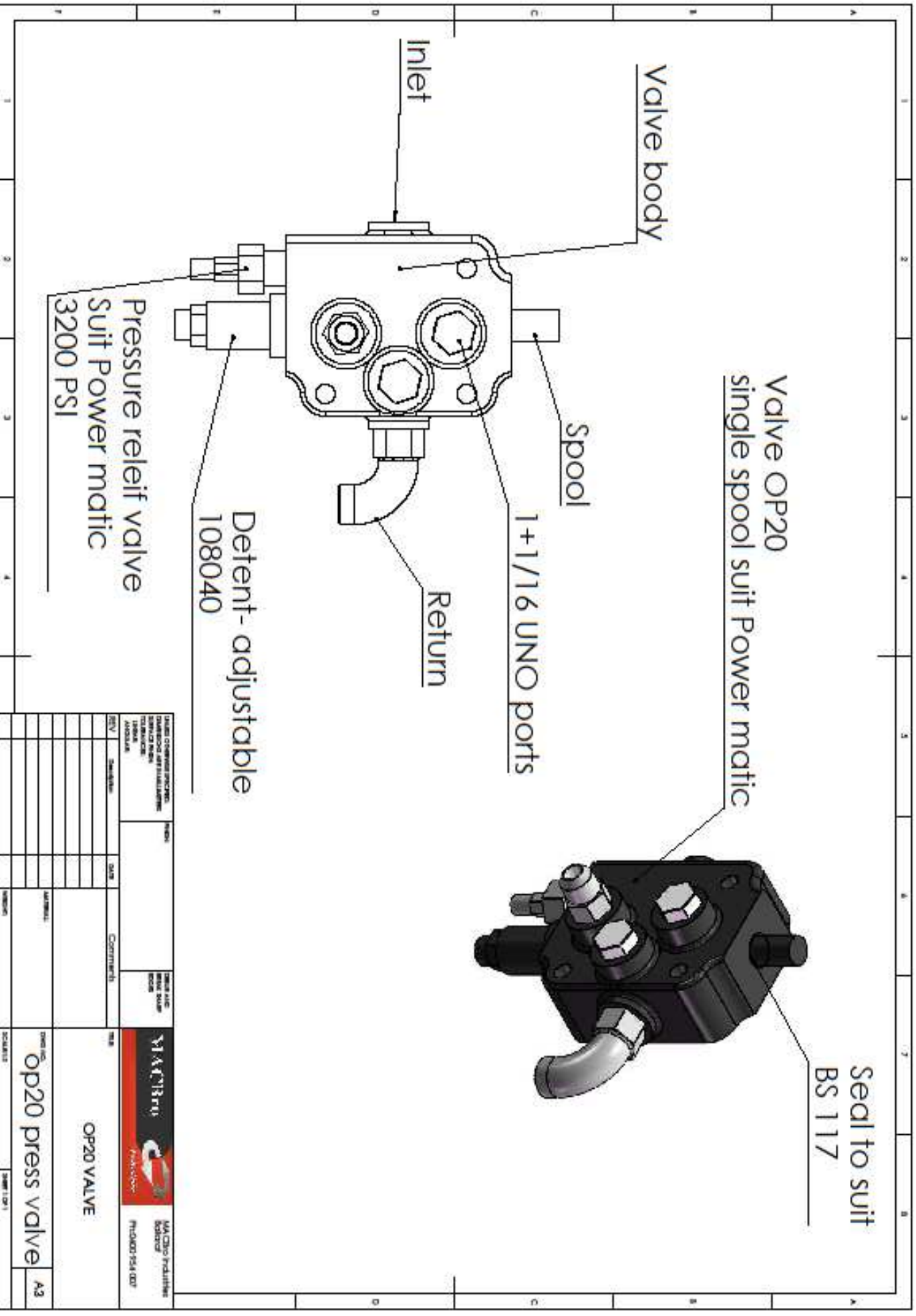
Plattern ear

Bolt and nut - 5/16 x 2 UNC and Nyloc

Damper 1" - 106379



NAME CHANGE PROJECT: STANDARD IDENTIFICATION: SERVICE NUMBER: TELEPHONE: ADDRESS:		ITEM NUMBER: QTY: DATE:	TITLE: COMMENTS: DRAWING NO.:	DATE: BY: CHECKED BY:	MATERIAL: P/M platten -wide H/S open	PLATTEN NEW PM-part	DRAWING NO.:	
				<b>MARTRON</b> Powermatic				MATCHED INSTITUTE: NUMBER: PL16007584.007



REV	DATE	DESCRIPTION	BY	CHKD	APPROVED	REVISIONS	DATE	DESCRIPTION

DRAWN BY: <b>op20 press valve</b>		DATE: <b>A3</b>	
CHECKED BY: <b>op20 press valve</b>		DATE: <b>A3</b>	
APPROVED BY: <b>op20 press valve</b>		DATE: <b>A3</b>	

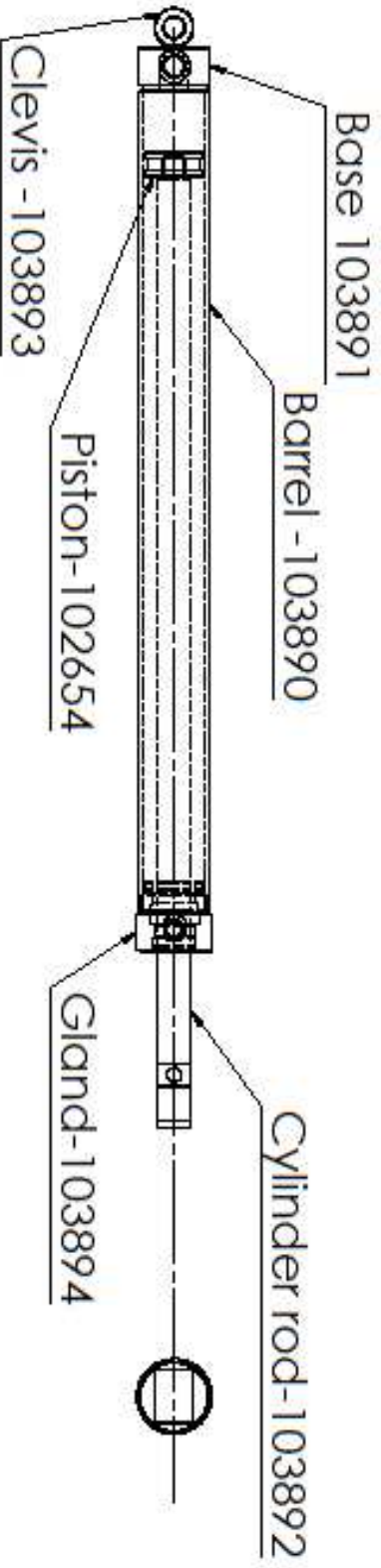
DATE OF DRAWING: <b>2017/01/11</b>	BY: <b>op20 press valve</b>	SCALE: <b>1:1</b>
CHECKED BY: <b>op20 press valve</b>	DATE: <b>2017/01/11</b>	SCALE: <b>1:1</b>
APPROVED BY: <b>op20 press valve</b>	DATE: <b>2017/01/11</b>	SCALE: <b>1:1</b>

<b>MACHRO</b>		<b>MACHRO Industries</b>
7000 15th Ave SE		Edmonton
Alberta T5C 1H4		Canada
Phone: 780.441.1111		Fax: 780.441.1112
Email: <a href="mailto:sales@machro.com">sales@machro.com</a>		Website: <a href="http://www.machro.com">www.machro.com</a>

Power matic Hyd cylinder complete

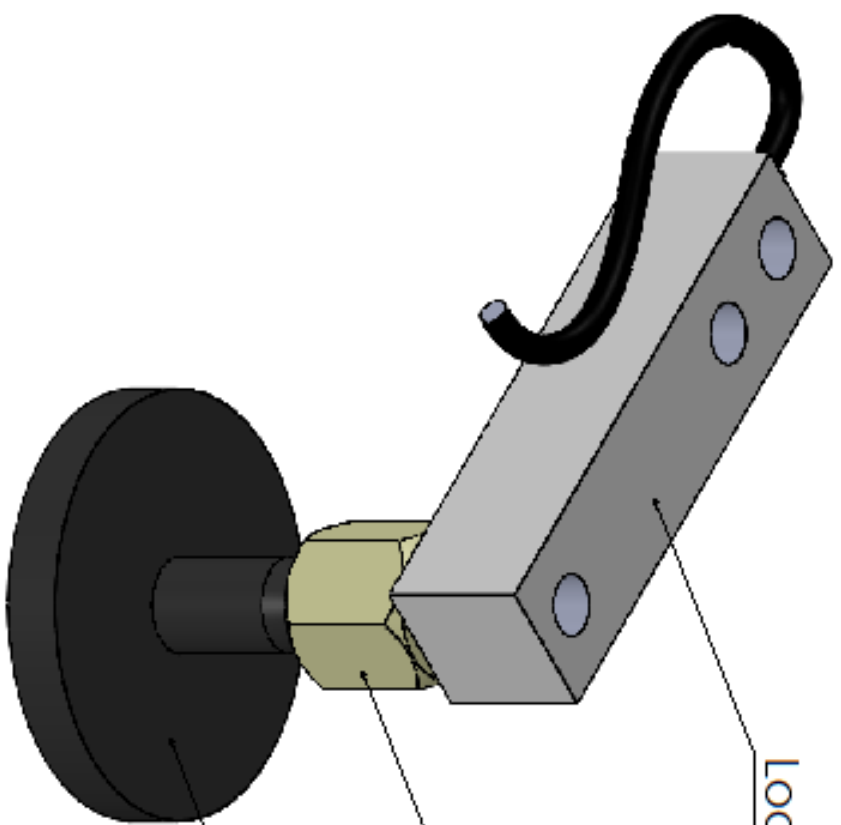
Seal kit to suit - 106465



\*Port alignment:  
POWER MATIC MACBro

Ports both in line with bottom  
rod eye

<small>PLEASE COMPLETE PROMPTLY. DIMENSIONS ARE SUBJECT TO CHANGE WITH NO NOTICE. TOLERANCES ARE SHOWN UNLESS SPECIFIED OTHERWISE.</small>		<small>ITEM NO. ORDER PART NO.</small>				<small>MACBRO INDUSTRIAL SOLUTIONS</small> PHONE: 954-977-7880 FAX: 954-977-7881	
REV	DESCRIPTION	DATE	BY	CHKD	APPV	Power matic cylinder 06-300-965-00249 A3	
						CONTACT 1 (954) 977-7881	

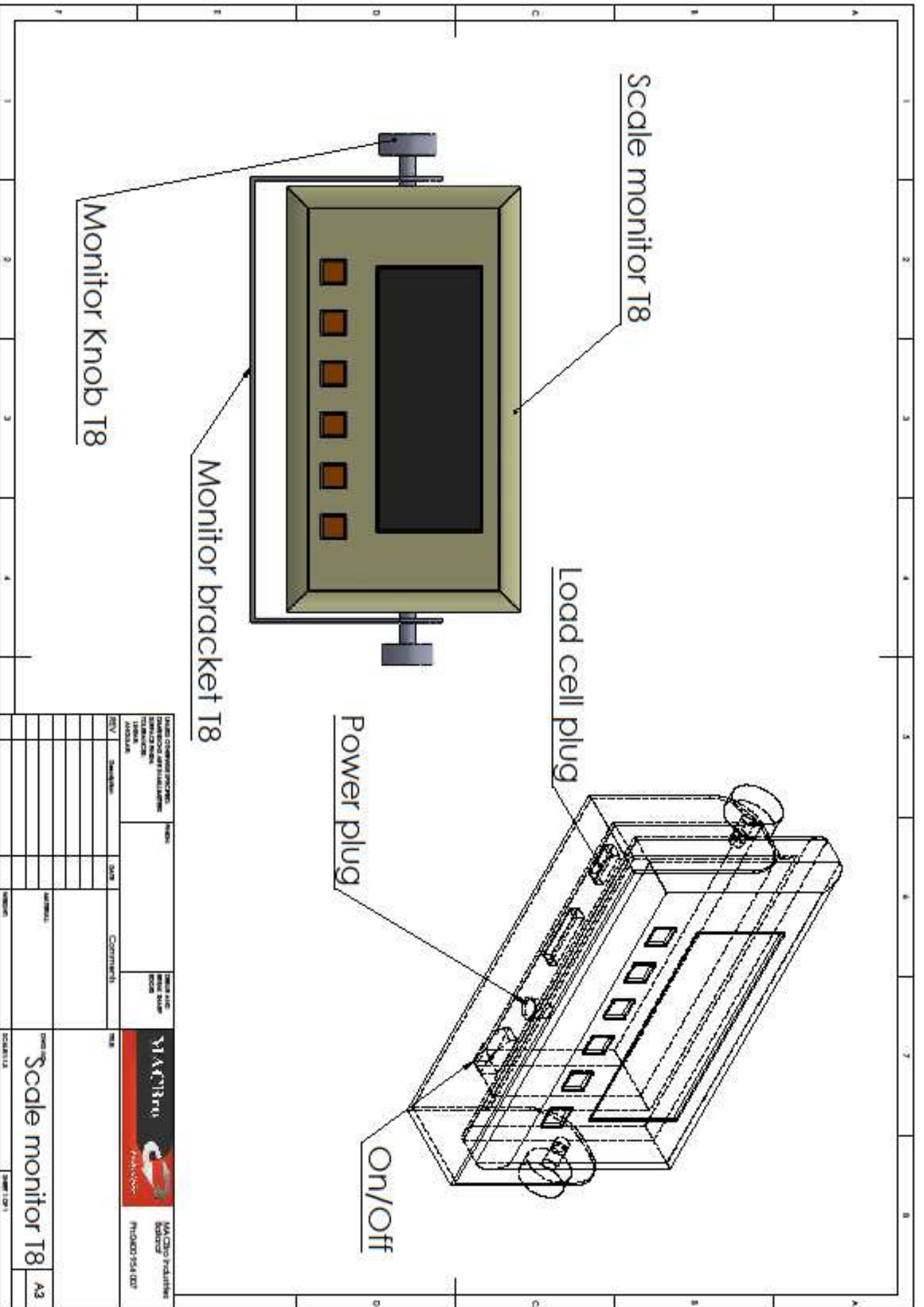


Load cell-101 486

Hex swivel socket-101421

Scale foot assy to suit Power matic

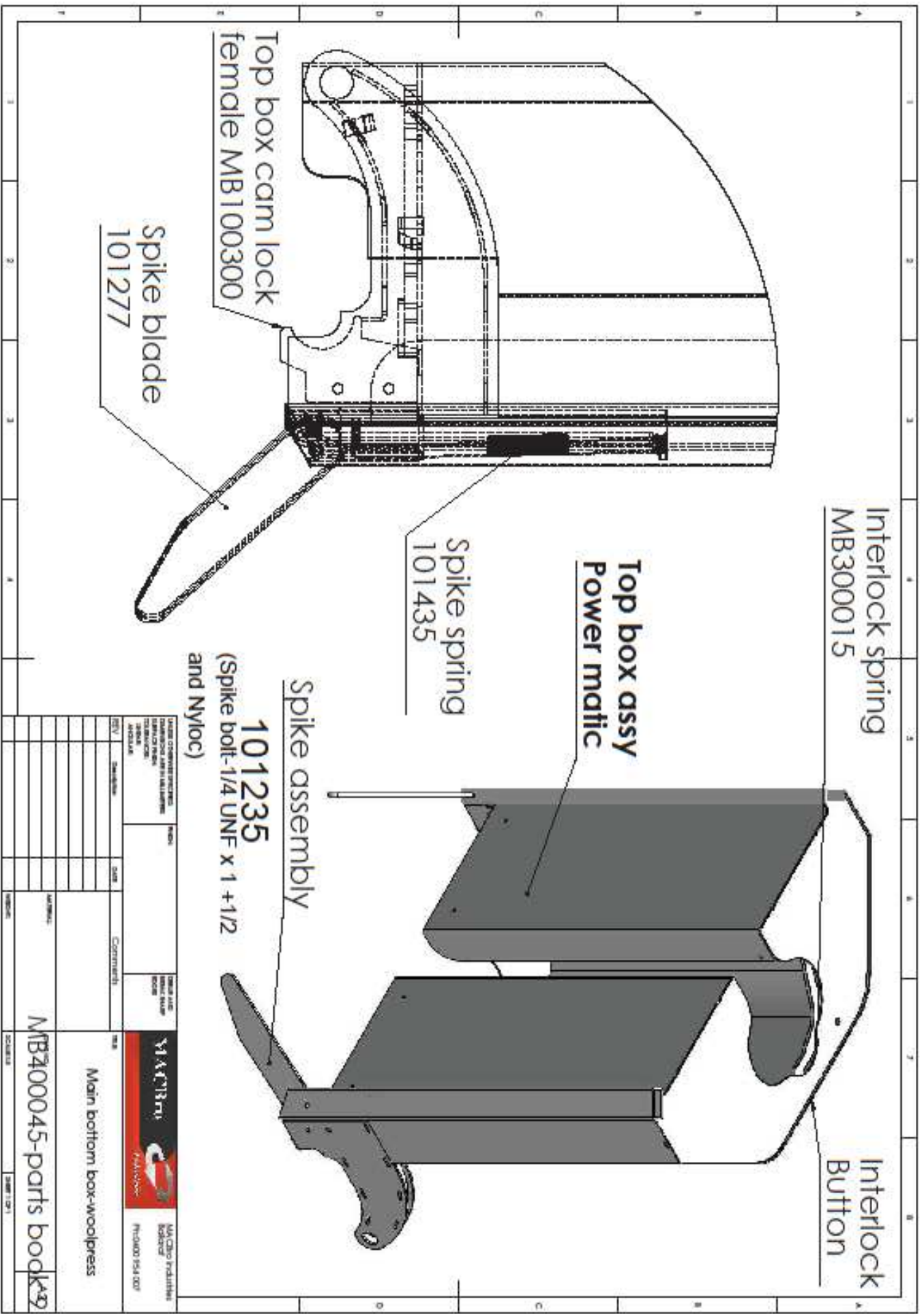
<b>TABLE CHANGING SYSTEM</b> OPERATIONAL AND DIMENSIONS CHANGE TRACK NUMBER LIBRARY APPROVAL		ITEM NO REVISED PART CODE NAME	PART NO <b>MACRUP</b> 	MACRUP Industries Bedford PHOENIX 504 007
REV	Change	DATE	COMMENTS	BY
Load cell and foot assy				DRAWN CHECKED DATE 1/21



MODEL: CHS8000-10000 DIMENSIONS: 100x100x100mm WEIGHT: 1.5kg SERIAL NO: 123456789 DATE: 10/2023		SERIAL NO: 123456789 DATE: 10/2023				MA-CDO Products 10000-10000 10000-10000	
REV	DATE	DESCRIPTION	BY	CHKD	APPV	SCALE	UNIT

Scale monitor T8

A3



Interlock spring  
MB300015

Interlock  
Button

**Top box assy  
Power matic**

Spike spring  
101435

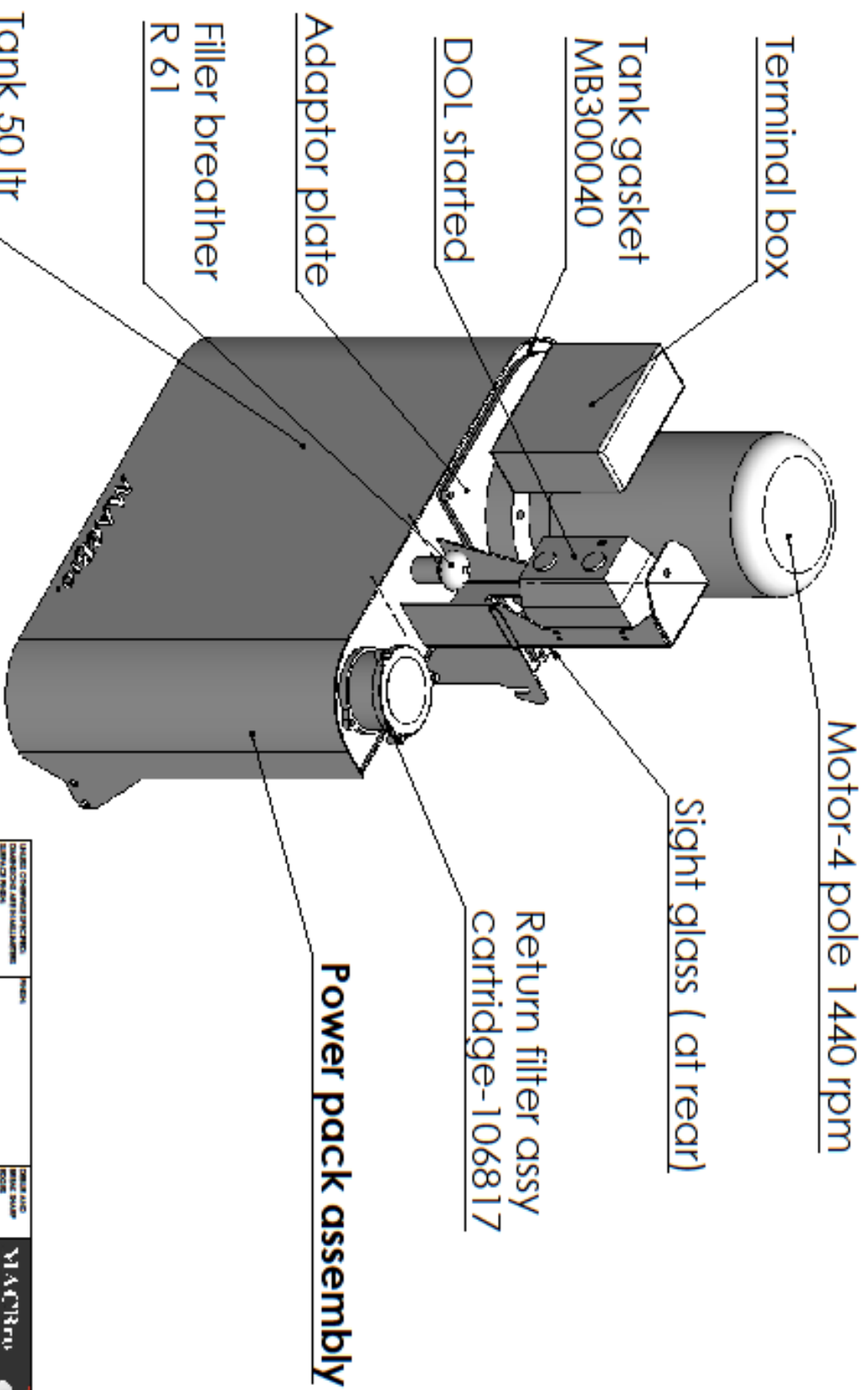
**Spike assembly  
101235  
(Spike bolt-1/4 UNF x 1 +1/2  
and Nyloc)**

Top box cam lock  
female MB100300

Spike blade  
101277

REV	Description	DATE	COMMENTS	BY

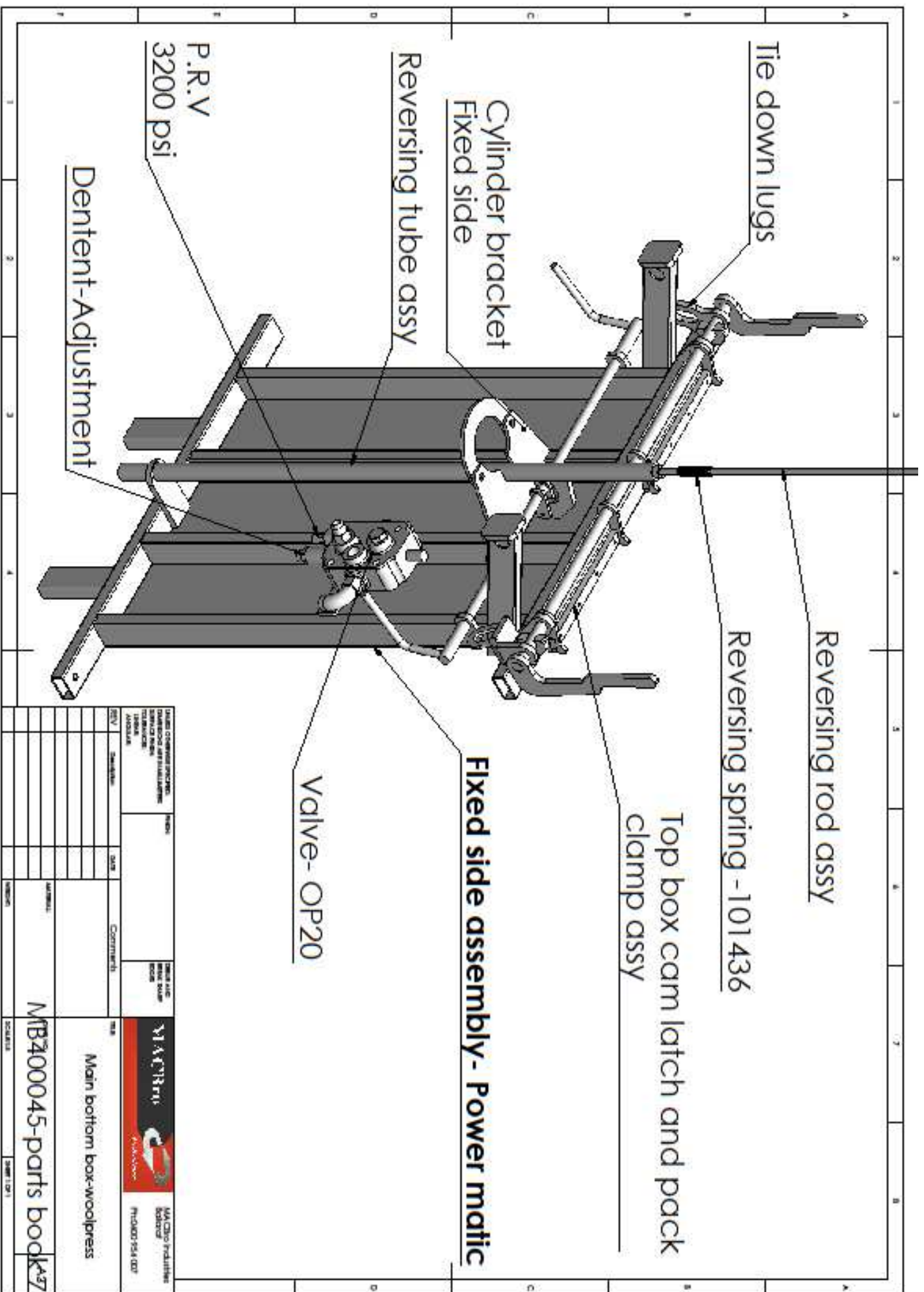
MACTRO 		MACTRO Industries 7441 (714) 954-0000	
Main bottom box-woolpress		MB400045-parts book	
11/17/11		11/17/11	



REV	Description	DATE	APPROVED	DATE	CONTRACT

<b>FIELD CHARGES/REPAIRS/</b> <b>CONNECTIONS/REPLACEMENTS</b> <b>STANDARD/REPAIR PARTS</b> <b>DATE</b> <b>APPROVED</b>	<b>FIELD AND</b> <b>REPAIR PARTS</b> <b>CODE</b>	<b>MACTRU</b>  <b>MACTRU Products</b> <b>Industrial</b> <b>PHILADELPHIA 264 007</b>	<b>Main bottom box-woolpress</b>  <b>MB300045-parts body</b> <b>MB</b>
--	--	--	---





Reversing rod assy

Reversing spring - 101 436

Top box cam latch and pack clamp assy

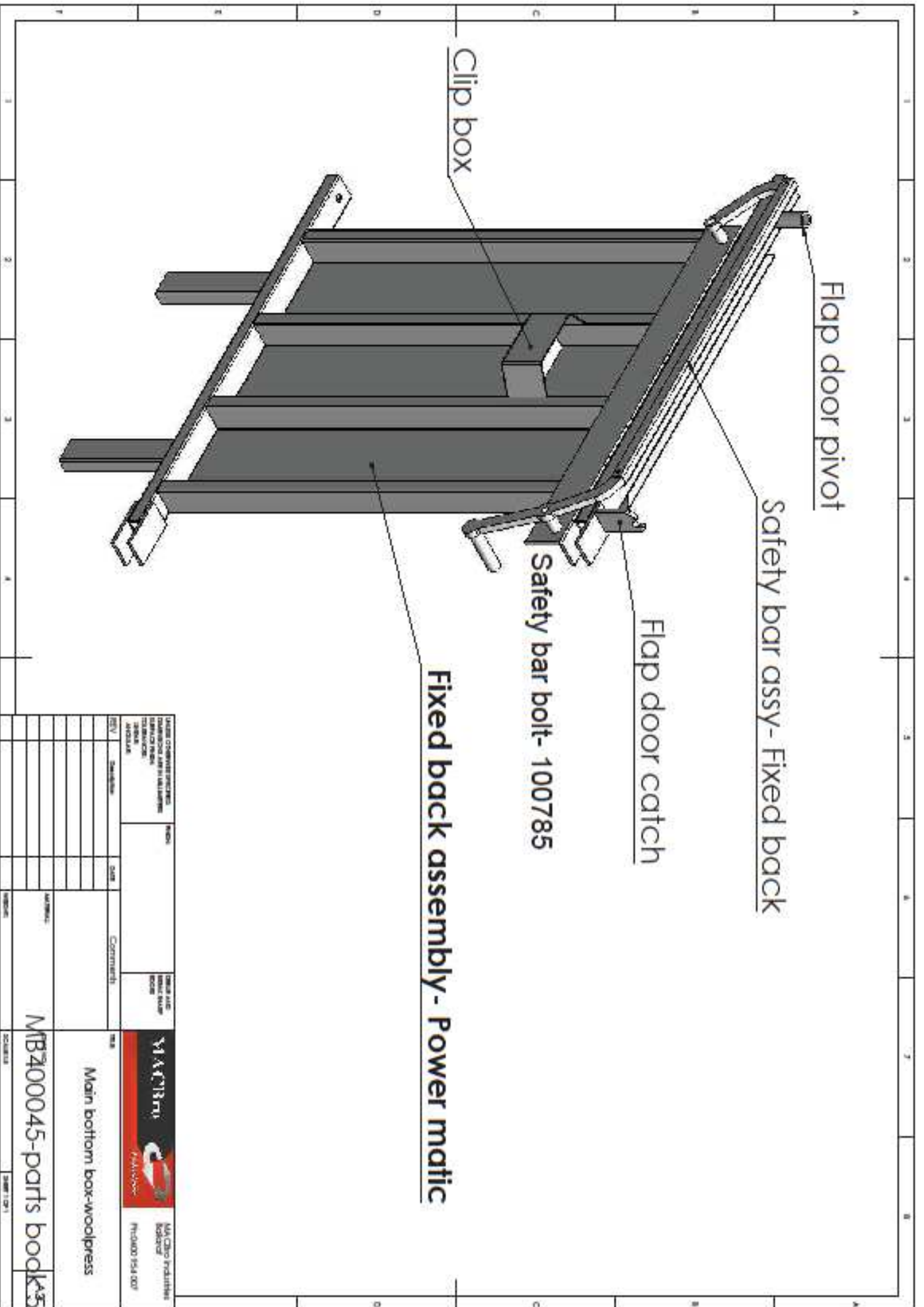
**Fixed side assembly - Power matic**

Valve- OP20

Dentent-Adjustment

P.R.V  
3200 psi

DATE COMPLETED		REV		PART NO.		MACHO PARTS	
DRAWING APPROVED		DATE		CONTENTS		MACHO Products	
DESIGNED BY		MATERIAL		NO.		Product 954 007	
CHECKED BY		REVISION		Main bottom box-woolpress		MACHO Products	
APPROVAL		DATE		PARTS BOOK		Product 954 007	
				MTB400045-parts book			
				SCALE		SHEET 1 OF 1	



Flap door pivot

Safety bar assy - Fixed back

Flap door catch

Safety bar bolt - 100785

Fixed back assembly - Power matic

Clip box

REV	Description	DATE	BY	CHKD	APP'D	COMMENT	NO
001	ISSUED FOR MANUFACTURE						
002	REVISION						
003	REVISION						
004	REVISION						
005	REVISION						
006	REVISION						
007	REVISION						
008	REVISION						
009	REVISION						
010	REVISION						
011	REVISION						
012	REVISION						
013	REVISION						
014	REVISION						
015	REVISION						
016	REVISION						
017	REVISION						
018	REVISION						
019	REVISION						
020	REVISION						
021	REVISION						
022	REVISION						
023	REVISION						
024	REVISION						
025	REVISION						
026	REVISION						
027	REVISION						
028	REVISION						
029	REVISION						
030	REVISION						
031	REVISION						
032	REVISION						
033	REVISION						
034	REVISION						
035	REVISION						
036	REVISION						
037	REVISION						
038	REVISION						
039	REVISION						
040	REVISION						
041	REVISION						
042	REVISION						
043	REVISION						
044	REVISION						
045	REVISION						
046	REVISION						
047	REVISION						
048	REVISION						
049	REVISION						
050	REVISION						
051	REVISION						
052	REVISION						
053	REVISION						
054	REVISION						
055	REVISION						
056	REVISION						
057	REVISION						
058	REVISION						
059	REVISION						
060	REVISION						
061	REVISION						
062	REVISION						
063	REVISION						
064	REVISION						
065	REVISION						
066	REVISION						
067	REVISION						
068	REVISION						
069	REVISION						
070	REVISION						
071	REVISION						
072	REVISION						
073	REVISION						
074	REVISION						
075	REVISION						
076	REVISION						
077	REVISION						
078	REVISION						
079	REVISION						
080	REVISION						
081	REVISION						
082	REVISION						
083	REVISION						
084	REVISION						
085	REVISION						
086	REVISION						
087	REVISION						
088	REVISION						
089	REVISION						
090	REVISION						
091	REVISION						
092	REVISION						
093	REVISION						
094	REVISION						
095	REVISION						
096	REVISION						
097	REVISION						
098	REVISION						
099	REVISION						
100	REVISION						

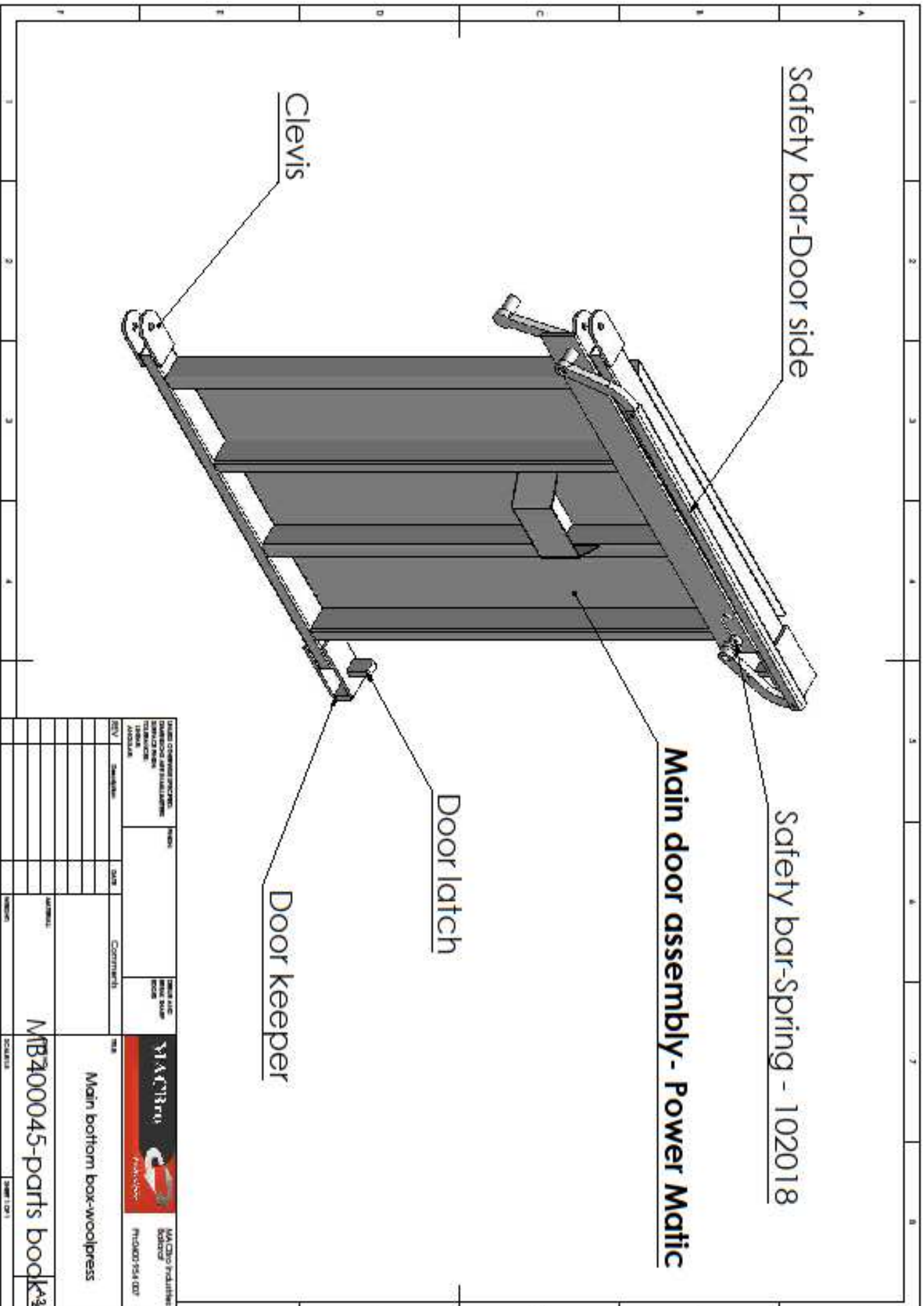


Main bottom box-woolpress

MB400045-parts book 45

MB400045-parts book 45





Safety bar-Door side

Safety bar-Spring - 102018

Main door assembly - Power Matic

Door latch

Door keeper

Clevis

DESIGN APPROVED BY: _____ SERVICE NUMBER: _____ DRAWING NUMBER: _____ VERSION: _____		PART NAME: _____ PART NUMBER: _____	 MAGBRO Industries 1710000 554 007
REV: _____ DATE: _____ COMMENTS: _____	MAIN BOTTOM BOX-WOODPRESS	MB7400045-parts book	

# Jockey wheel assembly

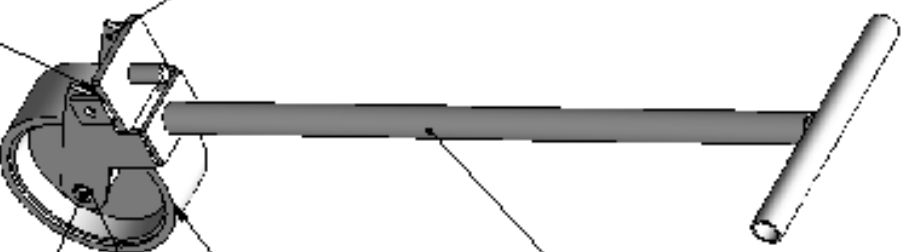
Wheel- MB300300

7/8" Ext Circlip

Axle- MB200035

Jockey wheel spring LH  
-101437

Jockey wheel spring RH  
-101438



QUANTITY DRAWING NUMBER  
MANUFACTURE DATE  
TOLERANCE  
SCALE  
ANISOLAR

REV

DESCRIPTION

DATE

COMMENTS

DRG AND  
CAGE CODE

MB



MACRO Industries  
Engineer  
PH: (603) 754-0227

Main bottom box-woolpress

MB400045-parts box 43

REV

DESCRIPTION

DATE

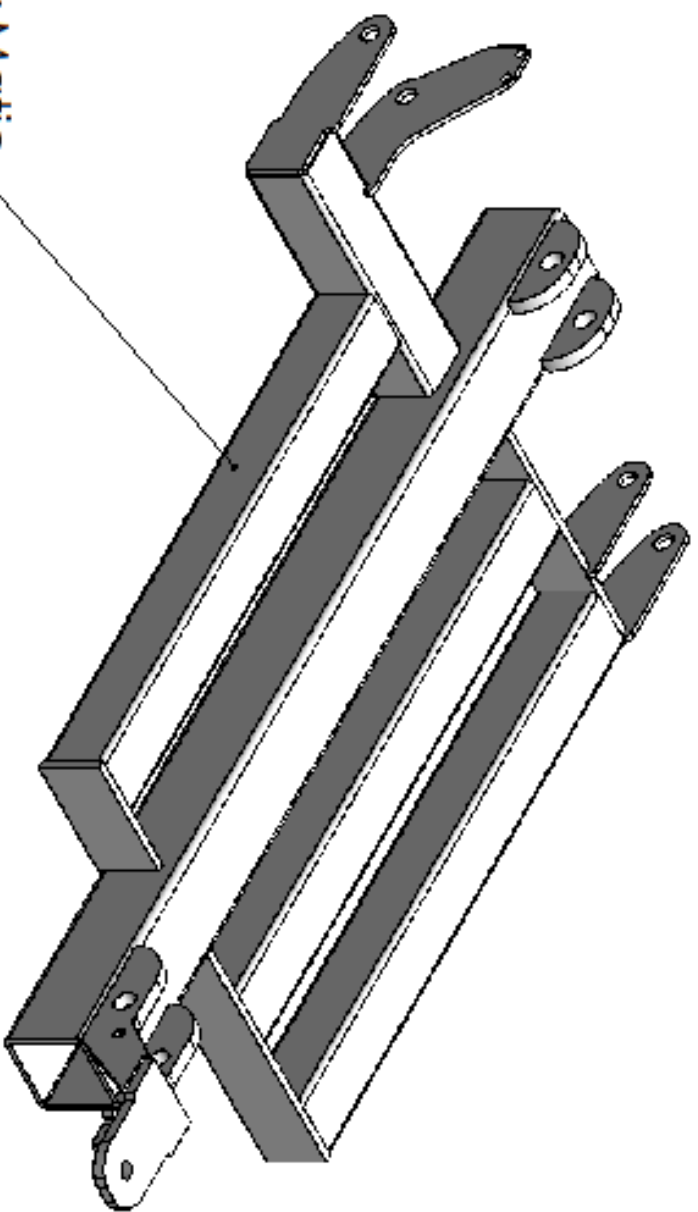
COMMENTS

DRG AND  
CAGE CODE

MB

MACRO Industries  
Engineer  
PH: (603) 754-0227

Base assembly- Power Matic



DATE COMPLETED		DATE	DRAWING NO.	
REVISIONS			PART NO.	
DESIGNED BY			MATERIAL	
CHECKED BY			REVISIONS	
APPROVED BY				
REVISIONS				
REV		DATE	DESCRIPTION	BY

Main bottom box-woolpress

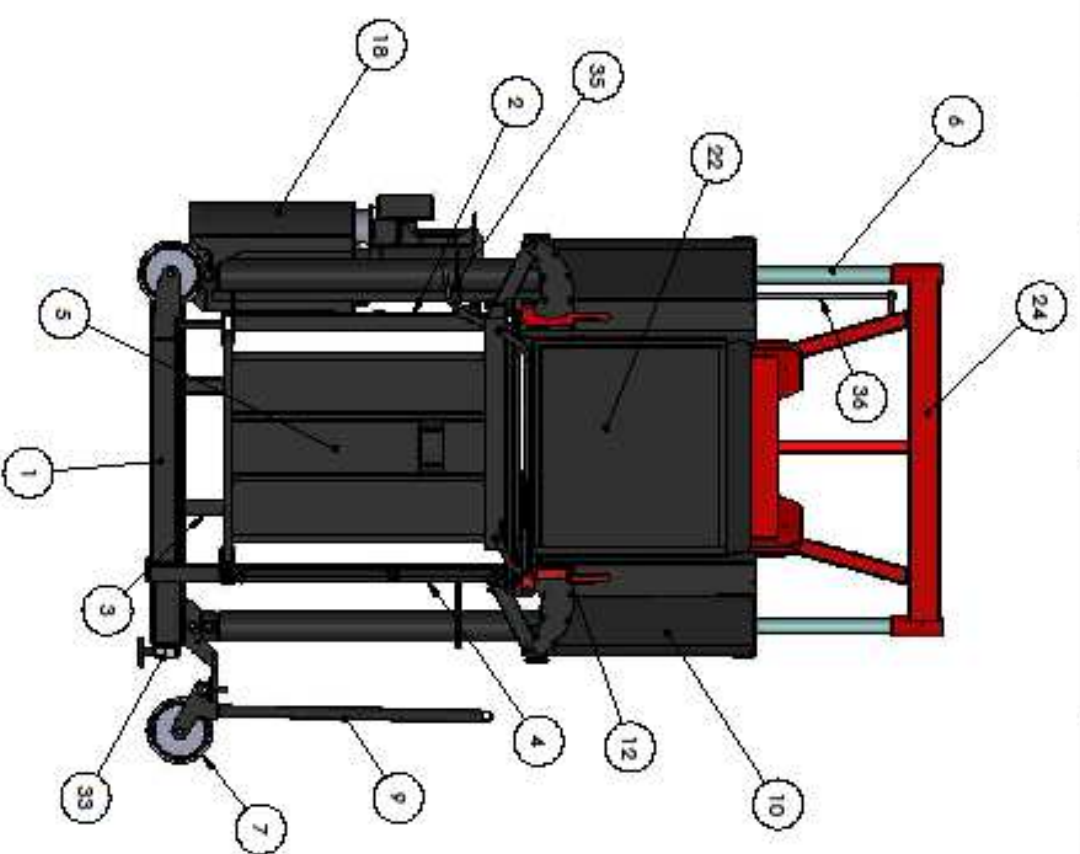
MB2400045-parts book



MACHRO Industries  
Sektor  
710000 754 007



ITEM NO.	PART NUMBER	DESCRIPTION	Default/GRY.
1	MB400040	Base -woolpress	1
2	MB400035	Fixed side-woolpress	1
3	MB400030	Fixed back- woolpress	1
4	MB400025	Hinged side-woolpress	1
5	MB400020	Front door-woolpress	1
6	06-300-9-65-0024P		2
7	wheel		3
9	MB400050	Jockey wheel handle	1
10	MB400070	Top box assy-Power matic	2
11	MB400075	Latch-front door assy	1
12	MB400080	Top box latch and clamp assy	2
16	MB400085	Reverse rod assy	1
18	MB400066	Tank assy- suit New MB press- Tanktop filter	1
19	SB FIXED SIDE ASSY		1
20	SB HINGED SIDE ASSY		1
22	MB400095	Flap door assy PM	1
24	Platten NEW PM	P/M platten -wide H/S open	1
28	MB100465	Plate-Door stop	1
33	Load cell and foot assy		1
35	Control lever DS		1
36	rev rod assy		1



<b>MACTRO</b> MACTRO Industries 1724000 554 007	<b>MACTRO</b> MACTRO Industries 1724000 554 007
<b>Main bottom box-woolpress</b> <b>MB400045-parts body</b>	<b>MB400045-parts body</b>